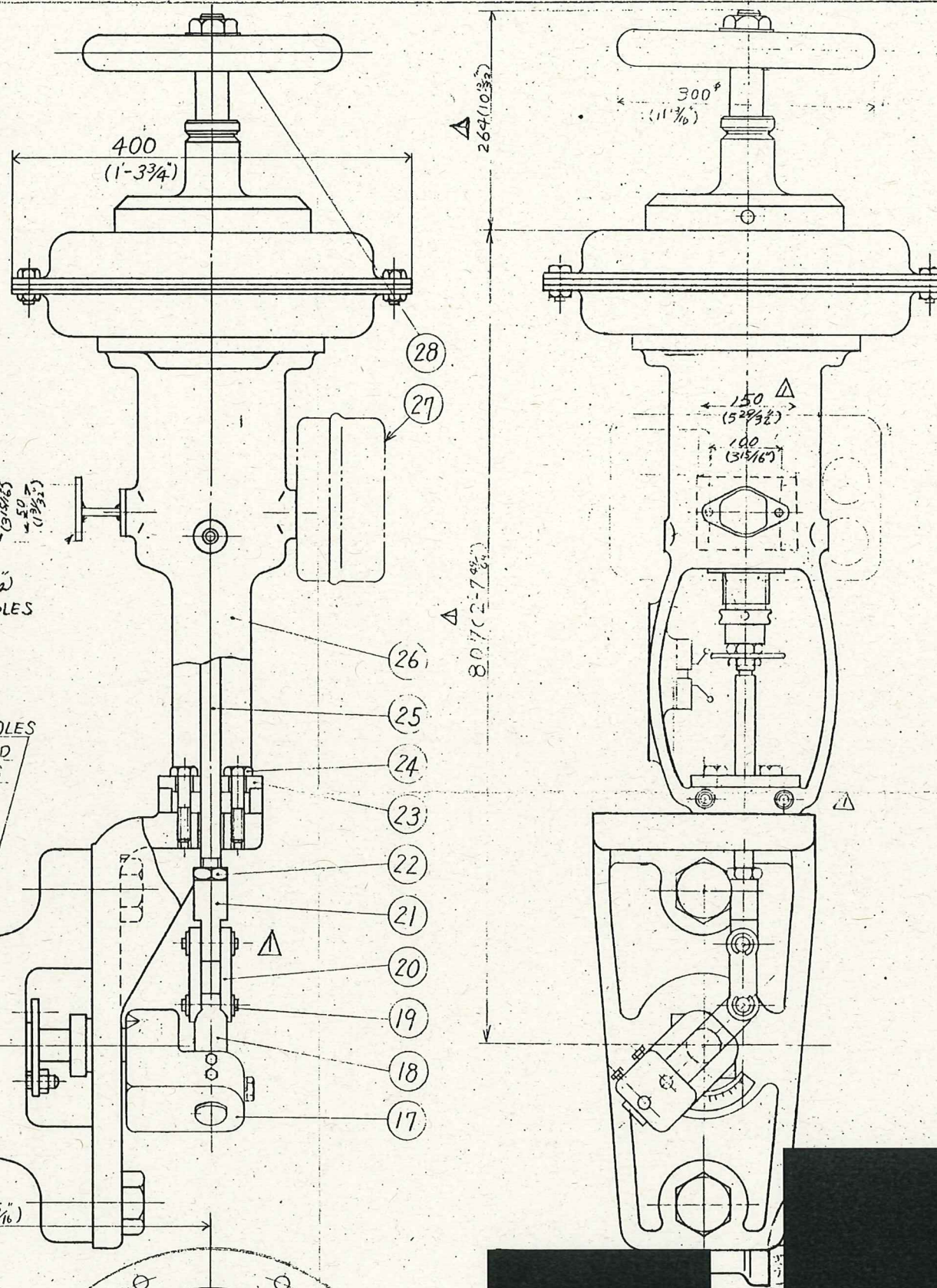


SPEC.

OPERATION	DIAPHRAGM TOP
BODY RATING	1.25 kg/cm <sup>2</sup> (25 PSI)
CAPACITY	
AIR RESISTANCE	3.8 mm Aq. (10.15")

Δ VALVE ACTION FAIL CLOSE

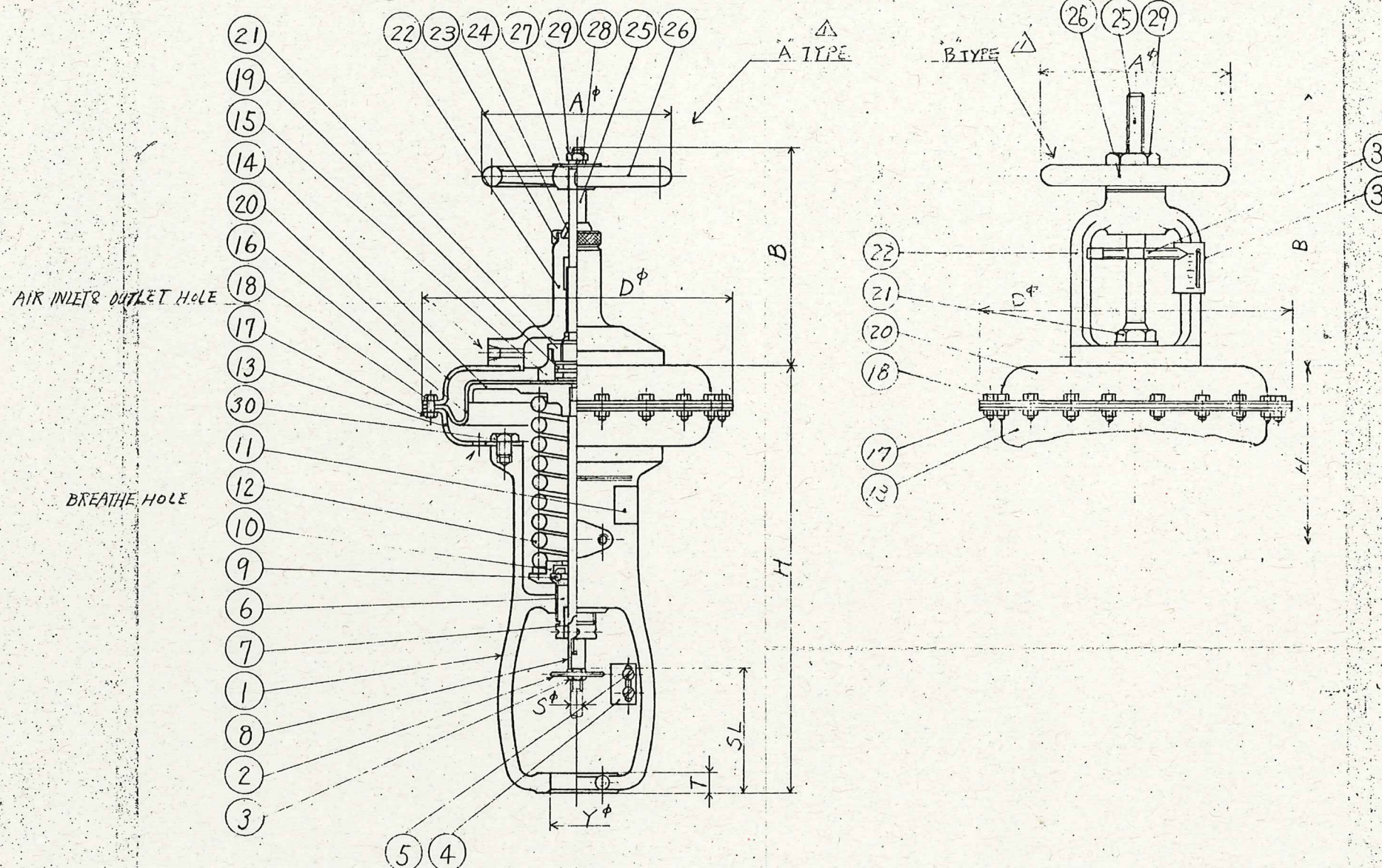


28	HANDLE WHEEL	FC 25	A48-64	1	
27	POSITIONER			1 SET	
26	DIAPHRAGM ACTUATOR			1 SET	
25	STEM	SUS 27	304	1	
24	BOLT	SS 41	A6-64	1	
23	FLANGE	"	"	1	
22	NUT	"	"	1	
21	CONNECTOR	"	"	1	
20	LINK	SS 41	A6-64	2	
19	PIN	SUS 53	420	2	
18	LEVER	SS 41	A6-64	1	
17	CRANK	FC 25	A48-64	1	
16	SUPPORT	FC 25	A48-64	1	
15	GLAND PACKING	TEFLON		1 SET	
14	GLAND BUSHING	BC-2	GUN METAL	1	
13	THRUST RING	SS 41	A6-64	1	
12	BUSHING	BC-2	GUN METAL	1	
11	TAPER PIN	SUS 53	420	1 SET	
10	BEARING COVER	SS 41	A6-64	1	
9	PACKING	ASBESTOS		1	
8	THRUST BLOCK	BC-2	GUN METAL	1	
7	BUSHING	"	"	1	
6	BUSHING	BC-2	GUN METAL	1	
5	SPINDLE	SUS 27	304	1	
4	SEAT PACKING	BUTYL CHLORIDE RUBBER		1	
3	PACKING SET RING	SS 41	A6-64	1	
2	VALVE DISC	SUS 27	304	1	
1	BODY	FC 25	A48-64	1	
No.	Name of Parts	Material	Quant	Remarks	

REFERENCE DRAWINGS  
 1. HV-217-8  
 2. HV-217-10  
 3. HV-217-13  
 4. HV-217-14

No.	Name of Parts	Material	Quant.	Weight	Remarks
Title: TEPCO-FUKUSHIMA-2					
Type: HVAC BUTTERFLY VALVE BF2-12, 13					
Unit: mm (INCH)					
Liquid	AIR	Valve leakage test pressure			kg/cm <sup>2</sup>
Temp.	285, 200 F	Body durability test pressure			kg/cm <sup>2</sup>

NO	DATE	DESCRIPTION	BY
Δ DEC 19 74		CHANGED MEASURE VALVE ACTION PLATE	SM J
		CHANGED BODY PLATE POSITION	
		REVISIONS	

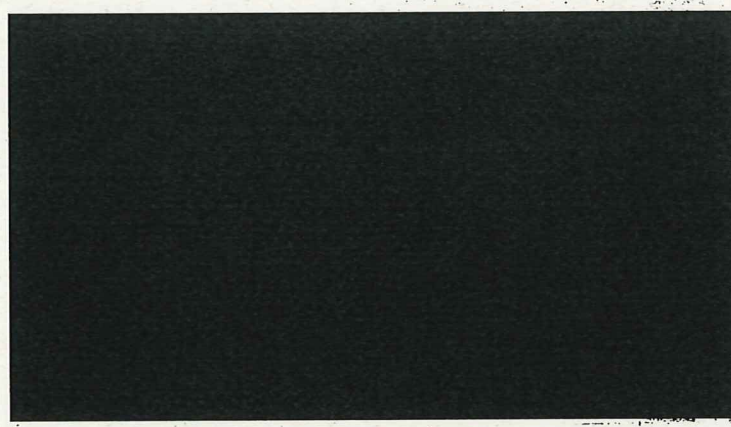


32	INDICATOR POINT	SUS27	304	
31	INDICATOR	SUS27	304	
30	BOLT	SS41	A6-64	
29	NUT	SS41	A6-64	
28	WASHER	SUP3		
27	KEY	SS50	A6-64	
26	HANDLE WHEEL	FC 20	A48-64	
25	HANDLE STEEL	SUS27	304	
24	DUST SEAL	SS41	A6-64	
23	SEAL NUT	SS41	A6-64	
22	MOUNT	FC 20	A48-64	
21	LOCK NUT	SS 41	A6-64	
20	DIAPHRAGM COVER	FC 20	A48-64	
19	BEARING			
18	BOLT	SS41	A6-64	
17	NUT	SS 41	A6-64	
16	DIAPHRAGM	RUBBER	RUBBER	
15	HOUSING	FC 20	A48-64	
14	DIAPHRAGM PLATE	FC 20	A48-64	
13	DIAPHRAGM CASE	SS41P	A6-64	
12	SPRING	SUP3		
11	NAME PLATE	SUS27	304	
10	SPRING SHEET	JASC	A6-64	
9	BEARING			
8	DIAPHRAGM STEEL	SUS53	A20	
7	GUIDE BUSH	SUS53	A20	
6	ADJUST SCREW	JASC	A6-64	
5	SCREW	BS BM	B-16	
4	SCALE	SUS27	304	
3	NUT	SUS27	304	
2	PRINTER	SUS27	304	
1	YOKE	FC 20	A48-64	
NO	Name of Parts	MATERIAL	QUANTITY	REMARKS

REFERENCE DRAWINGS

1. HV - 217 - 2
2. HV - 217 - 4
3. HV - 217 - 7
4. HV - 217 - 8
5. HV - 217 - 15

	D	A	B <sup>Δ</sup>	H <sup>Δ</sup>	SL <sup>Δ</sup>	S	Y	T	STROKE <sup>Δ</sup>	VALVE No.	HANDLE TYPE
m m	330	200	228	505	184	W/2"	60	20	38	BF2-17	A <sup>Δ</sup>
i n	1'-1"	7/8"	9"	1'-7 7/8"	7 1/4"	W/2"	2 3/8"	5 1/4"	1 1/2"		
m m	400	300	264	617	245	W 3/4"	100	40	50	BF2-12, 13, 15, 16	A <sup>Δ</sup>
i n	1'-3 3/4"	11 13/16"	10 3/32"	2'-1 9/16"	9 2 1/32"	W 3/4"	3 15/16"	1 37/64"	2"		
m m	500	400	441	793	265	W 3/4"	100	40	100	BF2-5A, 5B, 67, 89	B <sup>Δ</sup>
i n	1'-7 3/4"	1'-3 3/4"	17 15/32"	31 7/32"	10 1/8"	W 3/4"	3 15/16"	1 37/64"	3 15/16"		



Δ	DEC. 1970	ADD 'E' TYPE HANDLE	MLJ
		CHANGED MEASURE	
		HANDLE TYPE	
		DELETE BF2-14	
NO.	DATE	DESCRIPTION	BY
REVISIONS			

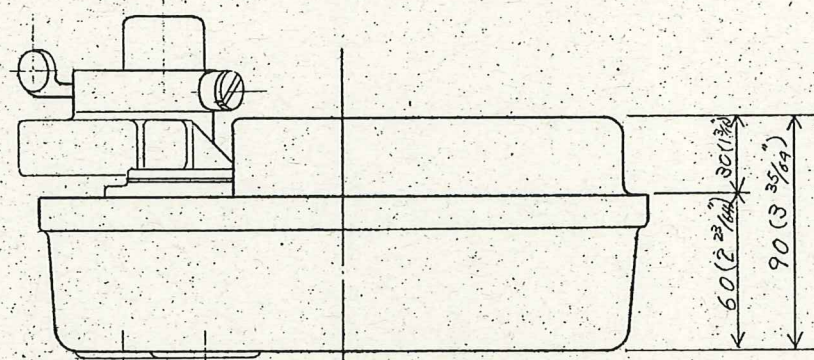
No.	Name of Parts	Material	Quant	Weight	Remarks
Title TEPCO-FUKUSHIMA-2					Manuf. No.
HVAC					Unit m m
DIAPHRAGM ACTUATOR OF					(INCH)
BF2-5-9 12, 13, 15-17					

Liquid: Valve leakage test pressure  $\frac{kg}{cm^2}$   
 Temp: Body durability test pressure  $\frac{kg}{cm^2}$

VALVE POSITONER

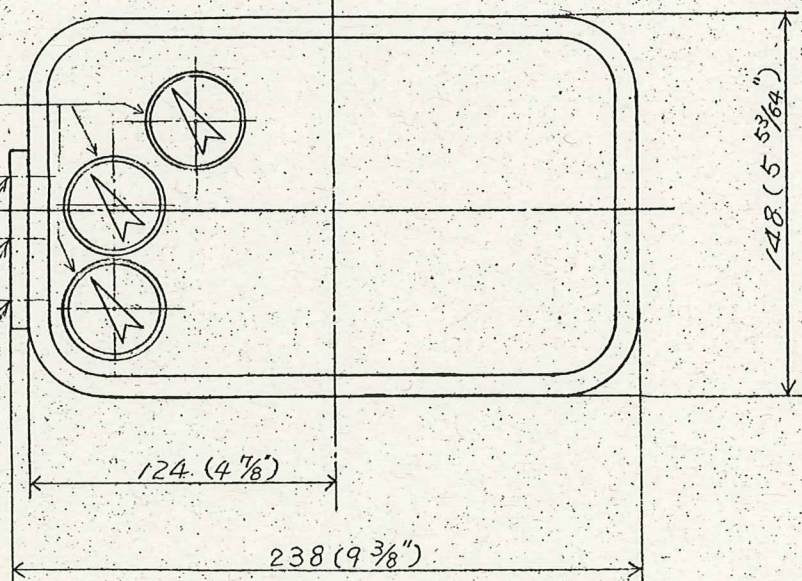
BF2-12.13

AC 1A (B108)

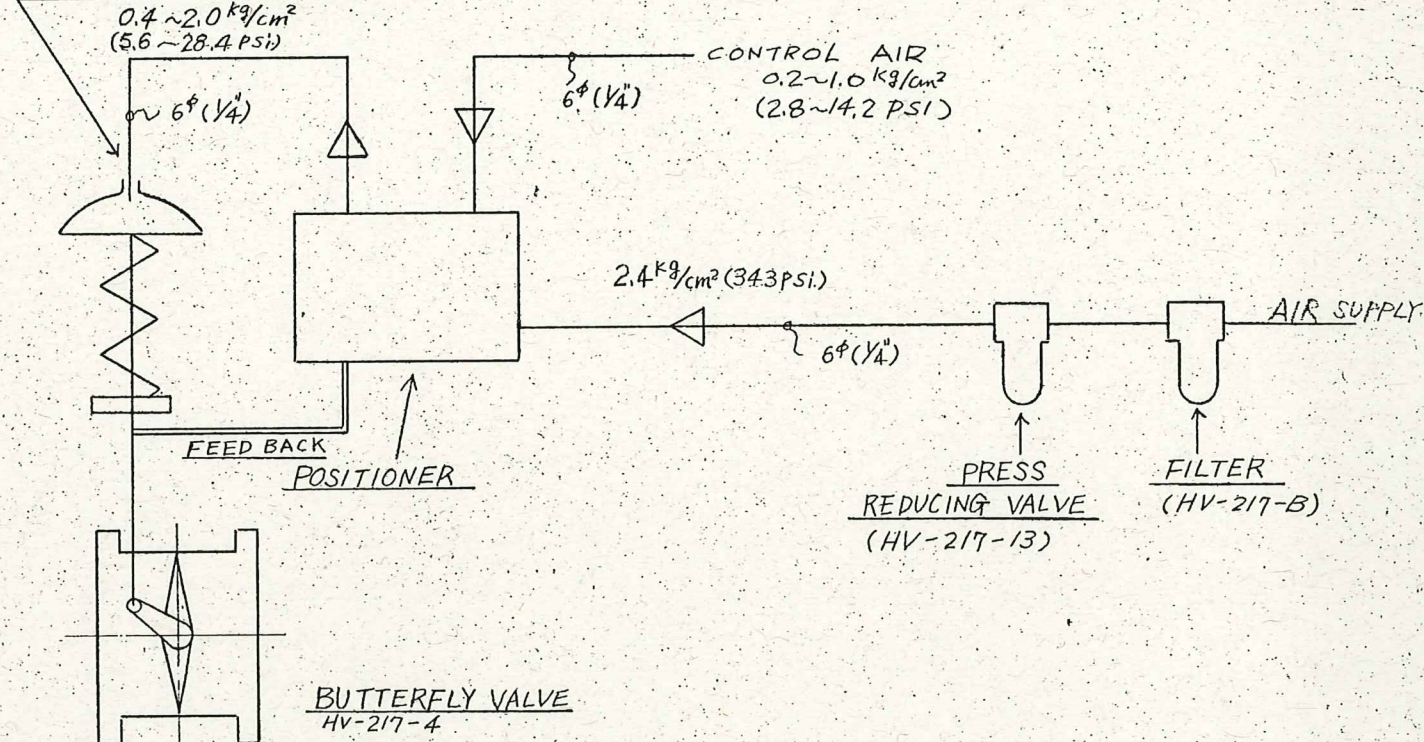


PRESSURE INDICATOR

2.4 kg/cm<sup>2</sup> (34.3 psi)  
AIR PRESS (SUPPLY)  
0.2 ~ 1.0 kg/cm<sup>2</sup> (2.8 ~ 14.2 psi)  
AIR PRESS (INSTRUMENT)  
0.4 ~ 2.0 kg/cm<sup>2</sup> (5.6 ~ 28.4 psi)  
AIR PRESS



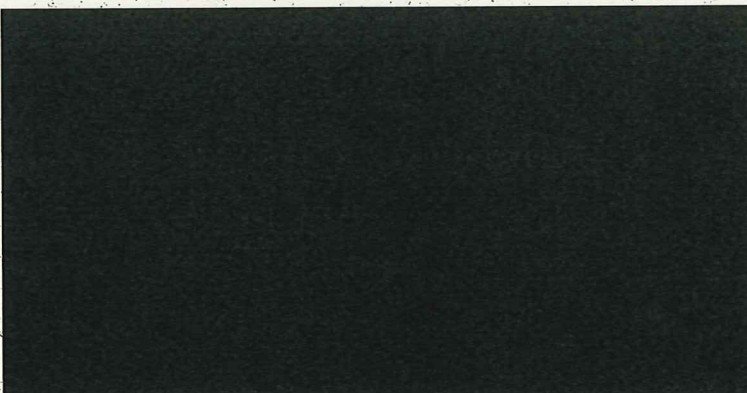
(HV-217-10)  
DIAPHRAGM ACTUATOR  
0.4 ~ 2.0 kg/cm<sup>2</sup>  
(5.6 ~ 28.4 psi)



FLOW DIAGRAM  
BF2-12.13

- REFERENCE DRAWINGS
1. HV-217-4
  2. HV-217-10
  3. HV-217-13

B-



No	Name of Parts	Material	Quant	Weight	Remarks
	Title <u>TEPCO-FUKUSHIMA-2</u>				
	HVAC				
	FLOW DIAGRAM OF BF2-12.13 & VALVE POSITONER				
					Manuf. No.
					Unit m.m (INCH)
Liquid					Valve leakage test pressure kg/cm <sup>2</sup>
Temp					body durability test pressure kg/cm <sup>2</sup>

NO.	DATE	DESCRIPTION	BY
		REVISIONS	